



HEAVY DUTY DEEP CYCLE SERIES 4000

| | | | |
|-------------------------------------|-------------------------------------------------------|---------------|------------------|
| BATTERY TYPE | VOLTS | 6 | 6 HHG 31P |
| DIMENSIONS | | | |
| LENGTH | 527 MM | 20 3/4 | INCHES |
| WIDTH | 203 MM | 8 | INCHES |
| HEIGHT | 302 MM | 11 7/8 | INCHES |
| WEIGHT DRY | 44 KG | 96 | LBS. |
| WEIGHT WET | 57 KG | 125 | LBS. |
| CONTAINER CONSTRUCTION | | | |
| INNER CONTAINER | POLYPROPYLENE | | |
| INNER COVER | POLYPROPYLENE - HEAT SEALED TO INNER CONTAINER | | |
| OUTER CONTAINER | HIGH DENSITY POLYETHYLENE | | |
| OUTER COVER | HIGH DENSITY POLYETHYLENE SNAP FIT TO OUTER CONTAINER | | |
| HANDLES | MOLDED | | |
| PLATES PER CELL | 31 | | |
| ELECTROLYTE RESERVE | ABOVE PLATES | 70 MM | 2.75 INCHES |
| DESIGN CRITERIA | 7 YEAR WARRANTY | 1300 CYCLES | 10 YEAR LIFE |
| POSITIVE PLATE DIMENSION | | | |
| HEIGHT | 140 MM | 5.500 | INCHES |
| WIDTH | 143 MM | 5.625 | INCHES |
| THICKNESS | 3.81 MM | 0.150 | INCHES |
| NEGATIVE PLATE DIMENSION | | | |
| HEIGHT | 140 MM | 5.500 | INCHES |
| WIDTH | 137 MM | 5.375 | INCHES |
| THICKNESS | 2.49 MM | 0.098 | INCHES |
| SEPARATOR INSULATION | SEPARATOR THICKNESS | 0.081 INCH | |
| | 0.020" GLASS MAT | | |
| TERMINALS | FLAG WITH STAINLESS STEEL NUTS AND BOLTS | | |
| COLD CRANK | CCA | 0°F / -17.8°C | 1444 |
| | MCA | 32°F / 0°C | 1805 |
| | RESERVE | 696 | |
| | MINUTES AT 25A | | |
| CAPACITY | 20 HR RATE | 344 | |
| | | CAP / AH | CURRENT / AMPS |
| CAPACITY AT THE 20 HOUR RATE | 1.265 SP. GR. | 344 | 17.2 |
| CAPACITY AT THE 15 HOUR RATE | 1.265 SP. GR. | 323 | 21.6 |
| CAPACITY AT THE 12 HOUR RATE | 1.265 SP. GR. | 306 | 25.5 |
| CAPACITY AT THE 10 HOUR RATE | 1.265 SP. GR. | 292 | 29.2 |
| CAPACITY AT THE 8 HOUR RATE | 1.265 SP. GR. | 275 | 34.4 |
| CAPACITY AT THE 6 HOUR RATE | 1.265 SP. GR. | 255 | 42.4 |
| CAPACITY AT THE 5 HOUR RATE | 1.265 SP. GR. | 241 | 48 |
| CAPACITY AT THE 4 HOUR RATE | 1.265 SP. GR. | 224 | 56 |
| CAPACITY AT THE 3 HOUR RATE | 1.265 SP. GR. | 203 | 68 |
| CAPACITY AT THE 2 HOUR RATE | 1.265 SP. GR. | 175 | 88 |
| CAPACITY AT THE 1 HOUR RATE | 1.265 SP. GR. | 124 | 124 |

PART NUMBER: 6-HHG-31P

WEIGHT WET: 125 LB / 57 KG

WEIGHT DRY: 96 LB / 44 KG

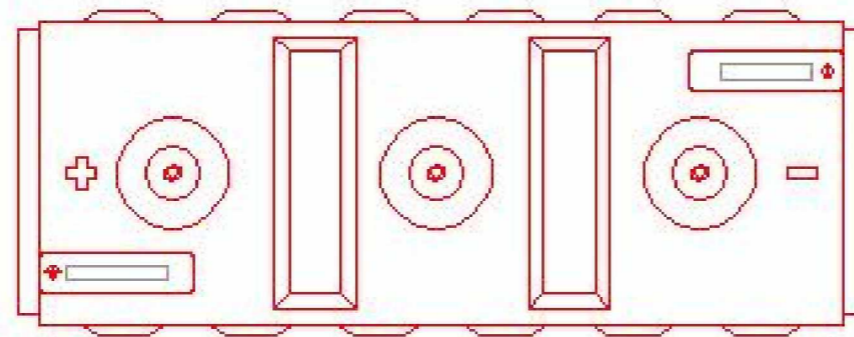
CAPACITY: 344 AH 20 HR

CCA @ 0°F / -17.8 °C: 1,445 A

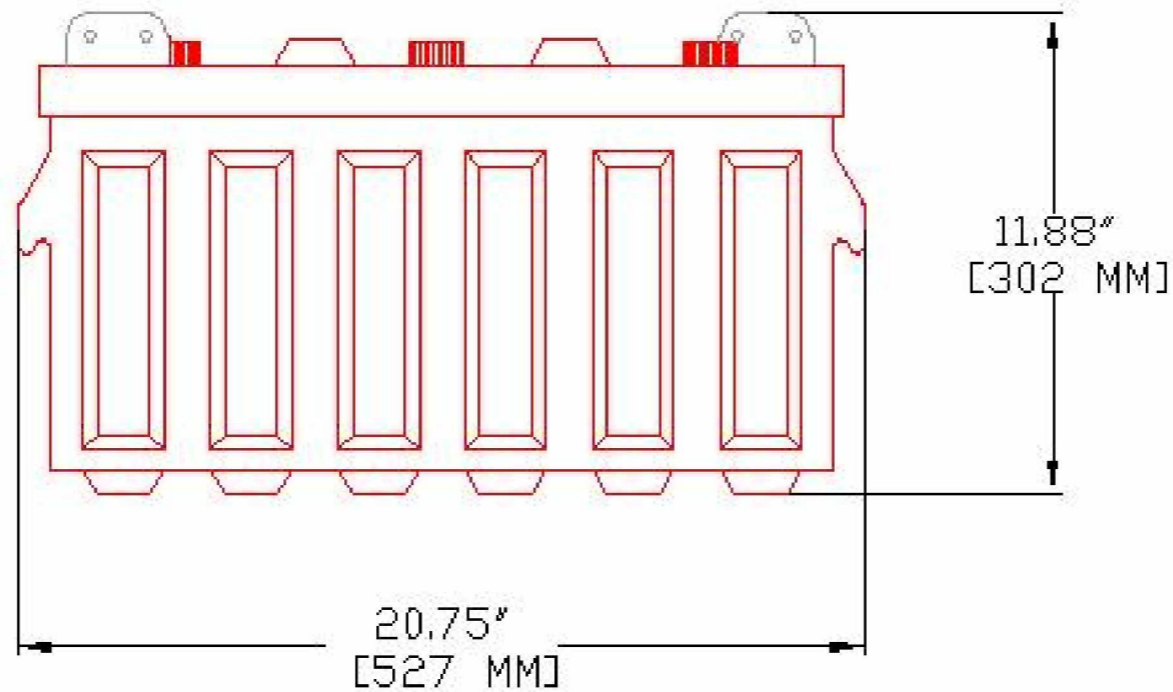
CCA @ 32°F / 0 °C: 1,806 A

VOLTAGE: 6 V

OVERALL DIMENSIONS: 20 3/4" x 8" x 11 7/8"



MAX HEIGHT WITH OPTIONAL HYDROCAPS: 12.43" / 316 MM



BATTERY ENGINEERING
SALEM/MASS./USA
PRODUCT OF CANADA

TITLE:

6HHG31P

DESCRIPTION:

6V DEEP CYCLE 400/4000 SERIES

CONTACT INFO:

WEB: WWW.SURRETTE.COM
E-MAIL: SALES@SURRETTE.COM
PHONE: 1-800-681-9914

SCALE: 1" = 6" 1" = 4" JPEG
8.5" X 11" 11" X 17" NOT TO SCALE

Drawn by:
S. WILES

Approved By:
D. SURRETTE

DATE: 20-Feb-01 REVISION 1.1

DRAWING NO.: DWG 032, 6D6HHG31P