

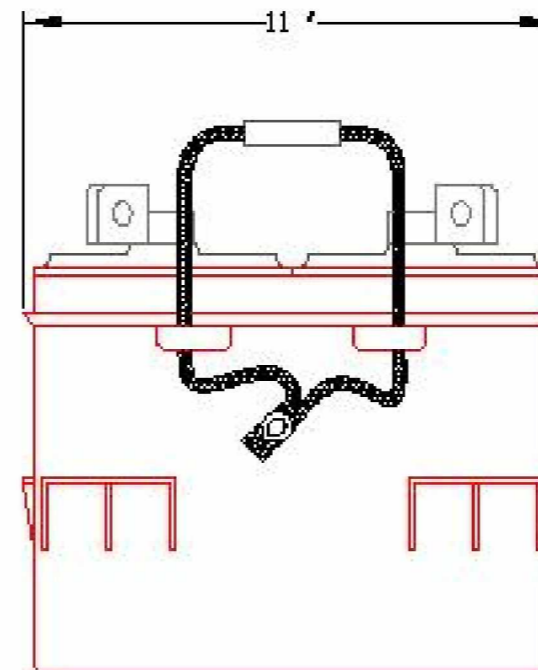
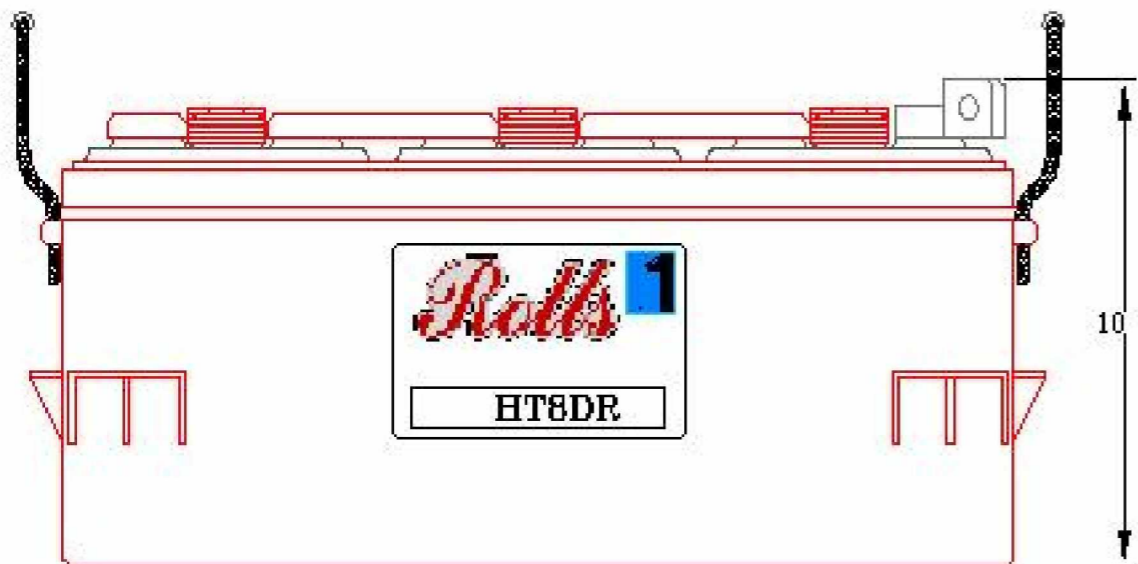
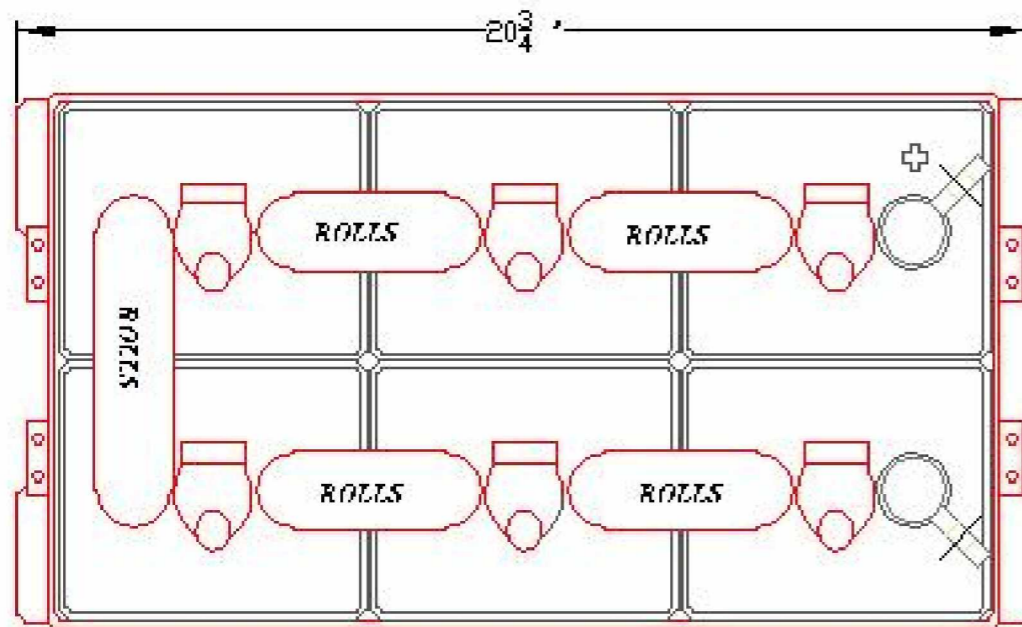


HEAVY DUTY DEEP CYCLE SERIES 4000

BATTERY TYPE	VOLTS	12	HT 8DR	
DIMENSIONS				
LENGTH			527 MM	20 3/4 INCHES
WIDTH			279 MM	11 INCHES
HEIGHT			254 MM	10 INCHES
WEIGHT DRY			75 KG	164 LBS.
WEIGHT WET			53 KG	117 LBS.
CONTAINER CONSTRUCTION				
OUTER CONTAINER			POLYPROPYLENE	
OUTER COVER			POLYPROPYLENE	
HANDLES			ROPE	
PLATES PER CELL				
			25	
ELECTROLYTE RESERVE	ABOVE PLATES		76 MM	3 INCHES
DESIGN CRITERIA	7 YEAR WARRANTY		1300 CYCLES	10 YEAR LIFE
POSITIVE PLATE DIMENSION				
HEIGHT			127 MM	5 INCHES
WIDTH			143 MM	5.625 INCHES
THICKNESS			3.18 MM	0.125 INCHES
NEGATIVE PLATE DIMENSION				
HEIGHT			127 MM	5 INCHES
WIDTH			143 MM	5.625 INCHES
THICKNESS			2.08 MM	0.082 INCHES
SEPARATOR INSULATION	SEPARATOR THICKNESS		0.061 INCH	
	.020" GLASS MAT			
TERMINALS	AUTOMOTIVE - STANDARD			
COLD CRANK	CCA	0°F / -17.8°C	1050	RESERVE
	MCA	32°F / 0°C	1313	MINUTES AT 25A
				489
CAPACITY	20 HR RATE		221	
			CAP / AH	CURRENT / AMPS
CAPACITY AT THE 20 HOUR RATE		1.265 SP. GR.	221	11.1
CAPACITY AT THE 15 HOUR RATE		1.265 SP. GR.	208	13.8
CAPACITY AT THE 12 HOUR RATE		1.265 SP. GR.	197	16.4
CAPACITY AT THE 10 HOUR RATE		1.265 SP. GR.	188	18.8
CAPACITY AT THE 8 HOUR RATE		1.265 SP. GR.	177	22.1
CAPACITY AT THE 6 HOUR RATE		1.265 SP. GR.	164	27.3
CAPACITY AT THE 5 HOUR RATE		1.265 SP. GR.	155	31
CAPACITY AT THE 4 HOUR RATE		1.265 SP. GR.	144	36
CAPACITY AT THE 3 HOUR RATE		1.265 SP. GR.	130	43
CAPACITY AT THE 2 HOUR RATE		1.265 SP. GR.	113	56
CAPACITY AT THE 1 HOUR RATE		1.265 SP. GR.	80	80

PART NUMBER: HT8DR
 WEIGHT WET: 164 LB / 74 KG
 WEIGHT DRY: 117 LB / 53 KG
 CC / 32°F, 0°C: 1,313 A
 CCA / 0°F, -18°C: 1,050 A
 CAPACITY: 221 AH 20 HR
 170 AH 6 HR
 RESERVE (MIN@25AMP): 489
 VOLTAGE: 12 V
 OVERALL DIMENSIONS: 20 3/4 X 11.0 X 10.0"

*SHOWN WITH OPTIONAL FLAG TERMINALS
 STANDARD WITH AUTO POST



TITLE:	HT8DR	
DESCRIPTION:	12V DEEP CYCLE SERIES 400/4000	
CONTACT INFO:	WEB: WWW.ROLLSBATTERY.COM E-MAIL: SALES@ROLLSBATTERY.COM PHONE: 1-800-661-9914	
SCALE:	1" = 5" 8.5" X 11"	JPEG: NOT TO SCALE
Drawn by:	S. WILES	Approved By: D. SURRETTE
DATE:	5-FEB-01	REVISION 1.0
DRAWING NO.:	DWG034, BD-HT8DR	